

MODE SELECTOR SWITCH

POSITION	FUNCTION
1	POWER OFF
2	FM
3	MPX STEREO
4	EXT STEREO

NOTE—JUMPER IS USED WHEN MPX

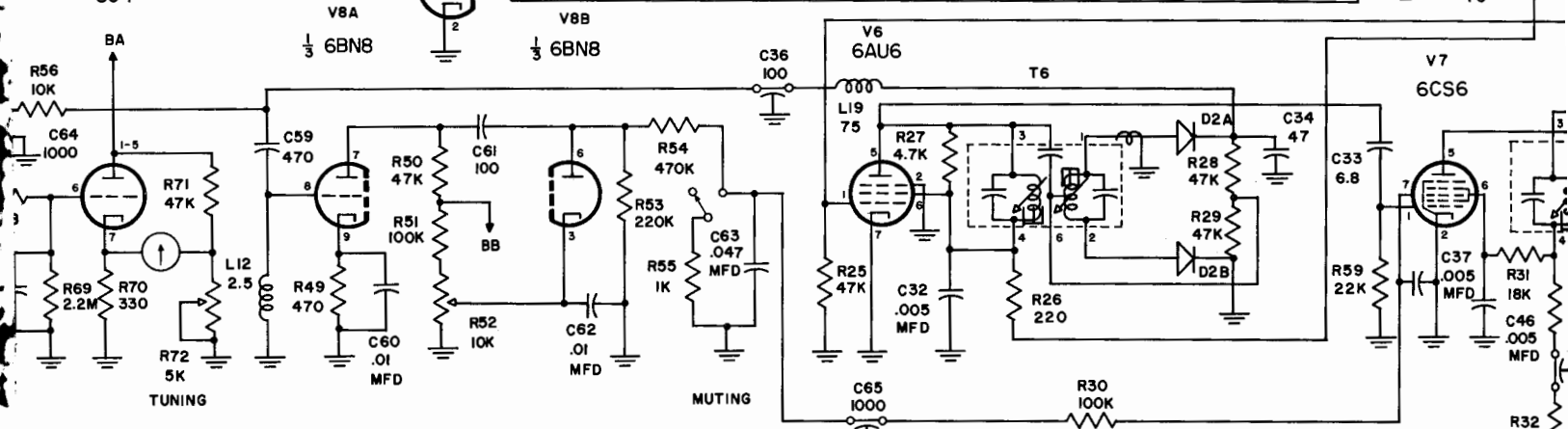
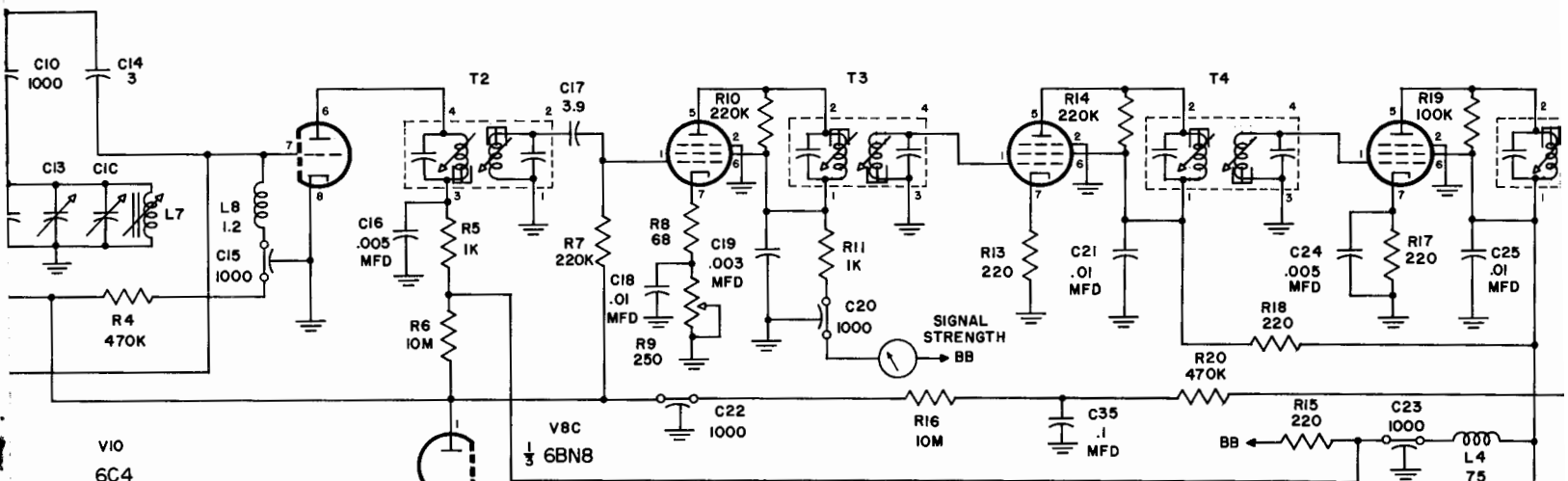
PANEL LIGHTS METER LIGHTS

V2B
1/2 12AT7

V3
6AU6

V4
6AU6

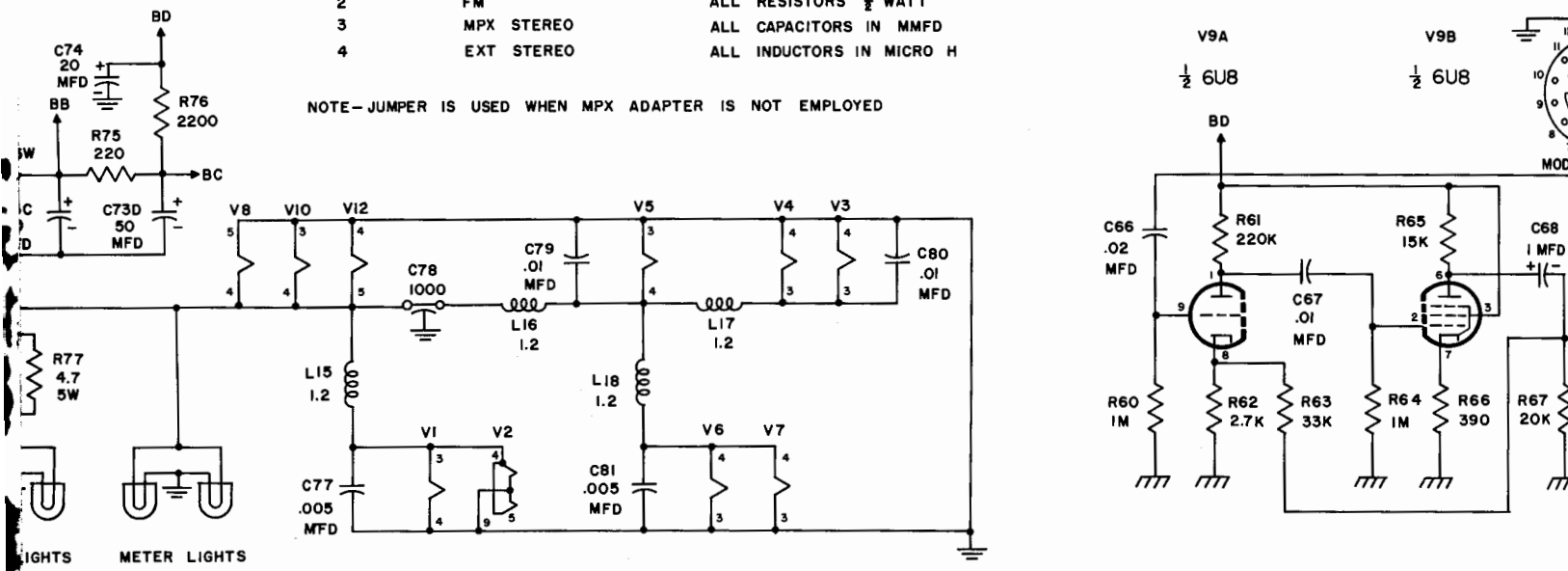
V5
6AU6



MODE SELECTOR SWITCH

POSITION	FUNCTION	UNLESS OTHERWISE SPECIFIED
1	POWER OFF	
2	FM	ALL RESISTORS 1/2 WATT
3	MPX STEREO	ALL CAPACITORS IN MMFD
4	EXT STEREO	ALL INDUCTORS IN MICRO H

NOTE--JUMPER IS USED WHEN MPX ADAPTER IS NOT EMPLOYED

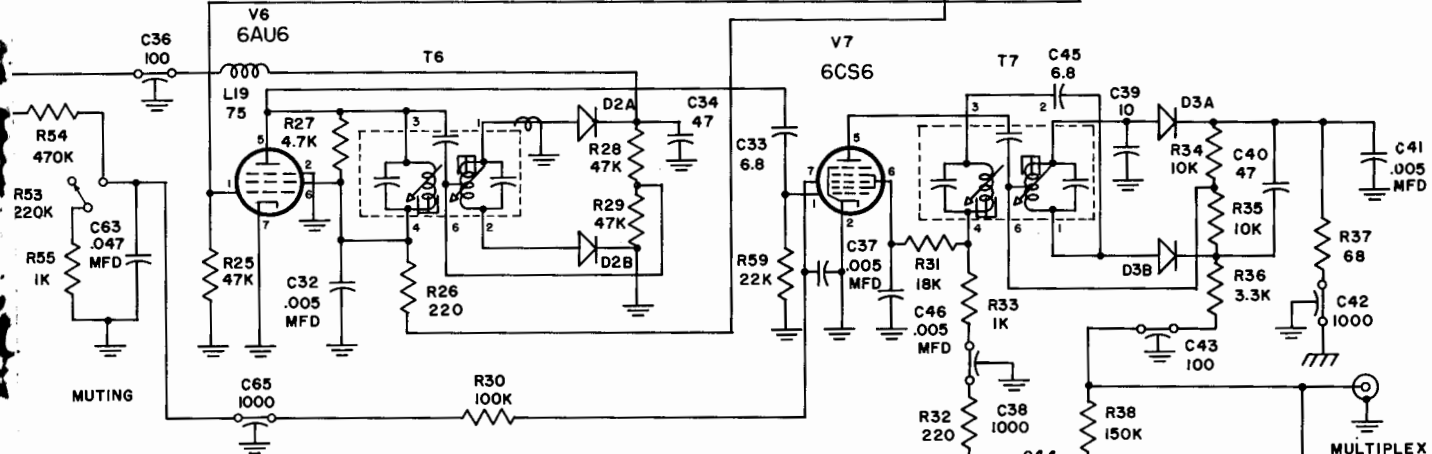
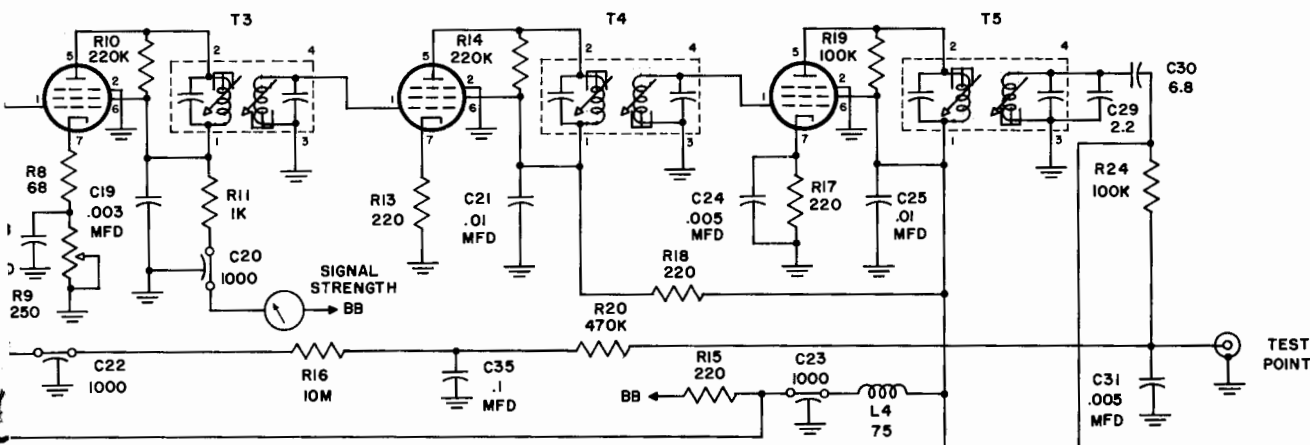


LIGHTS METER LIGHTS

V3
6AU6

V4
6AU6

V5
6AU6



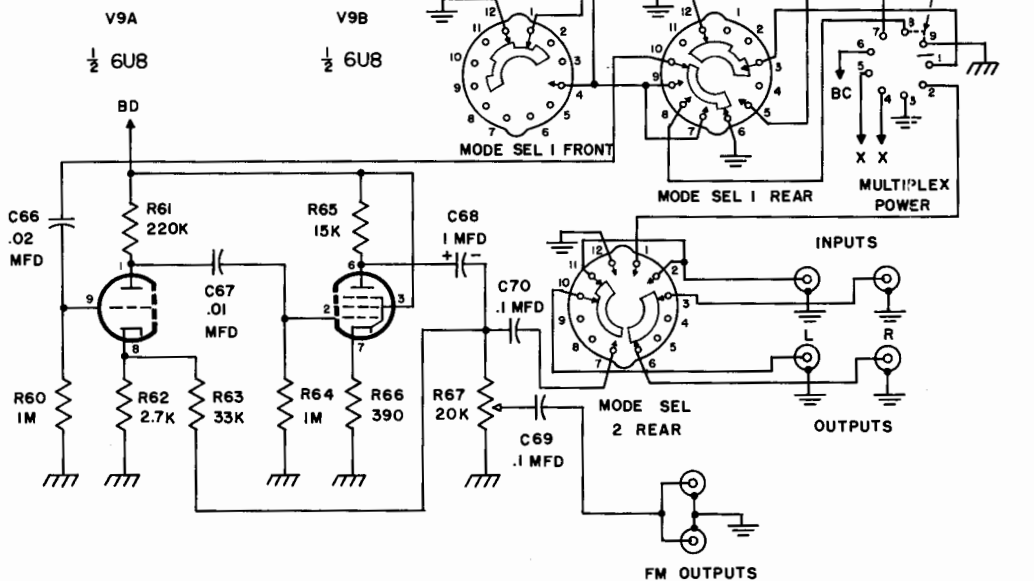
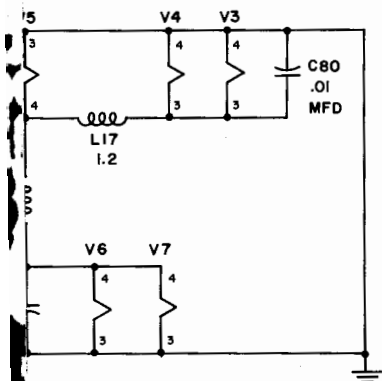
UNLESS OTHERWISE SPECIFIED

ALL RESISTORS 1/2 WATT

ALL CAPACITORS IN MMFD

ALL INDUCTORS IN MICRO H

DAPTER IS NOT EMPLOYED



MINTOSH LABORATORY INC. 2 Chambers St, Binghamton, N.Y.			
MR-65 SCHEMATIC			
DRAWN BY BB	SCALE	MATERIAL	
CHK'D	DATE 9-21-60	DRAWING NO.	
TRACED	APP'D	SC105-110	